

# Home Care Technical Specification

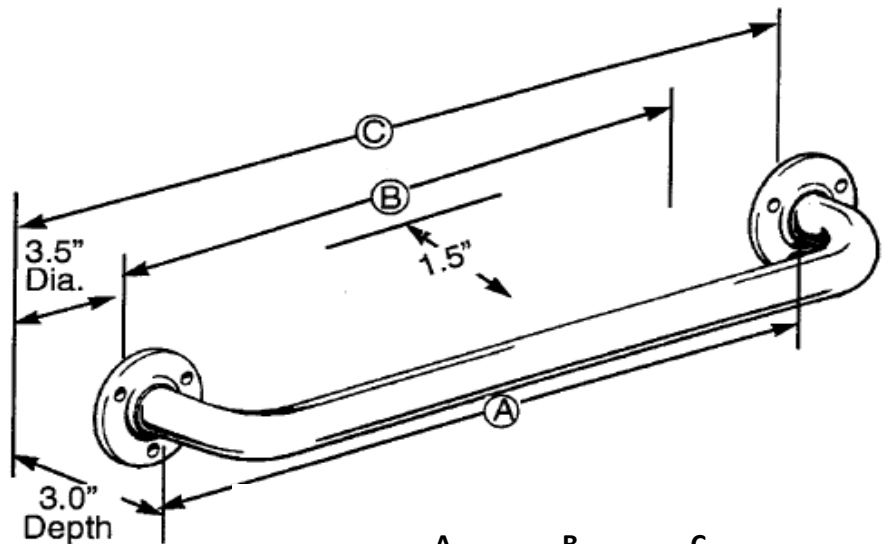
## 1 1/4" Grab Bars – Concealed Screw

8700

### Stock Numbers:

- ❑ **R8712W, DN8712, LR8712W – 12" Grab Bar**  
Satin Finish, White 1 1/4" Bar
- ❑ **8716, R8716W, LR8716W – 16" Grab Bar**  
White, 1 1/4" Bar
- ❑ **8718, L8718, R8718PS, LR8718PS, R8718PB, LR8718W, R8718W – 18" Grab Bar**  
Satin, Polished Stainless, Polished Brass, or White Finish, 1 1/4" Bar
- ❑ **8724, L8724, R8724PS, LR8724PS, 8724CB, LR8724W R8724PB, R8724W – 24" Grab Bar**  
Satin, Polished Stainless, Chrome & Brass, Polished Brass, or White Finish, 1 1/4" Bar
- ❑ **8730, R8730W – 30" Grab Bar**  
Satin Finish, White 1 1/4" Bar
- ❑ **8732, R8732W – 32" Grab Bar**  
Satin Finish, White Finish 1 1/4" Bar
- ❑ **R8736PS, R8736W , 8736 L8736– 36" Grab Bar**  
Polished Stainless or White Finish, 1 1/4" Bar
- ❑ **8742, R8742PS, R8748W– 42" Grab Bar**  
Satin or Polished Stainless Finish, White Finish  
1 1/4" Bar

### Dimensions:



	A	B	C
8712	12"	8.175	15.25
8716	16"	12.175	19.25
8718	18"	14.175	21.25
8724	24"	20.175	27.25
8730	30"	26.175	33.25
8732	32"	28.175	35.25
8736	36"	32.175	39.25
8742	42"	38.175	45.25
8748	48"	44.175	51.25

### Materials:

1 1/4" **Grab Bar** rods are formed from type 304 stainless steel tubing with a satin or white powder coated finish. **12" – 42"** length is 20 gauge  
**48"** length is 18 gauge

### Compliance:

- ADA, ANSI, ASTM, CSA
- Tested to 500 lbs. pull

### Installation Instructions:

1. Position unit on wall in desired location.
2. Mark mounting holes.
3. Drill starter holes.
4. Mount unit on wall using 2 1/4" screws (provided).
5. Snap flange covers into place.

Note: SecureMount Anchors are recommended for use in non-stud (hollow-wall) applications per installation instructions. (Secure Mount Anchors are sold separately)

**Stock Number:** \_\_\_\_\_ 1 1/4" Grab Bars  
By Creative Specialties



25300 AL MOEN DRIVE • NORTH OLMSTED, OH 44070  
CORPORATE HEADQUARTERS: (800) 321-8809 • FAX: (800) 848-6636  
INTERNATIONAL: (440) 962-2000 • FAX: (440) 962-2726  
CUSTOMER SERVICE (USA): 800-882-0116 • FAX: (888) 379-2720  
WWW.MOEN.COM

©Copyright Creative Specialties International

Literature #BA1675